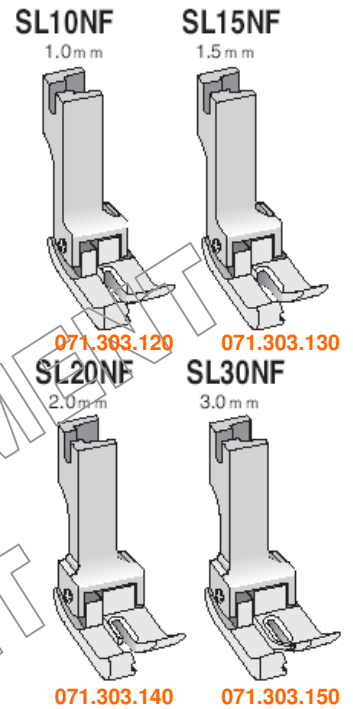
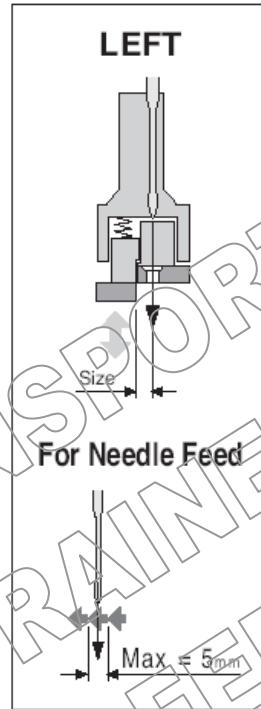
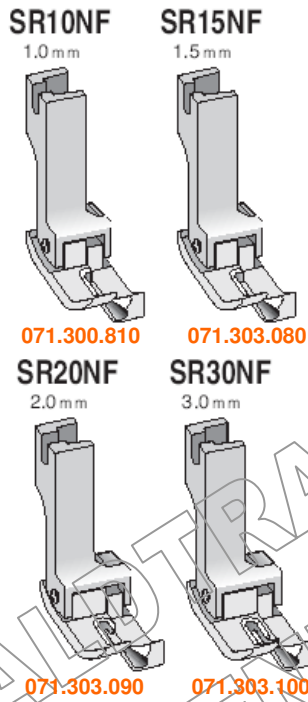
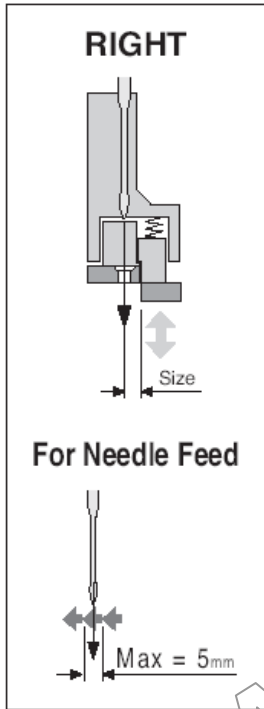


NAALDTRANSPORTVOETEN - PIEDS POUR ENTRAINEMENT PAR AIGUILLE - FEET FOR NEEDLE FEED MACHINE

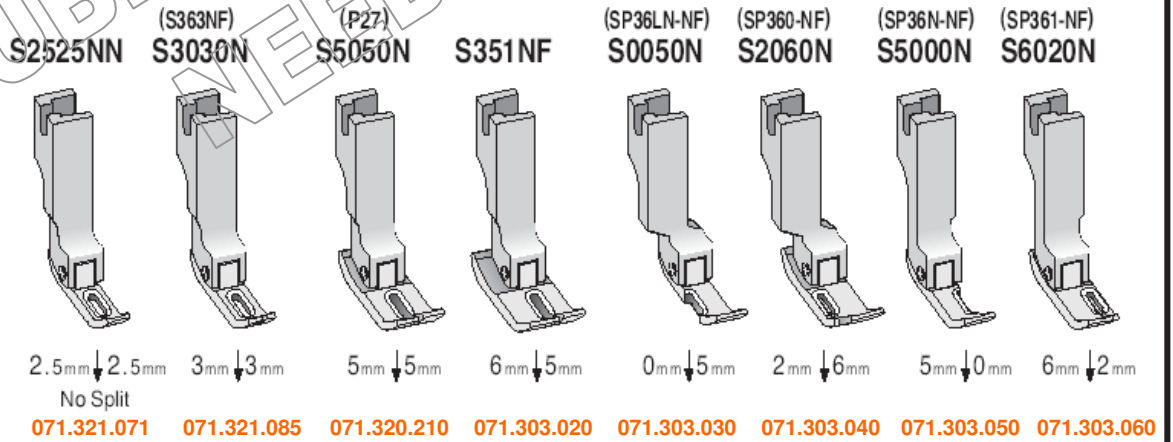
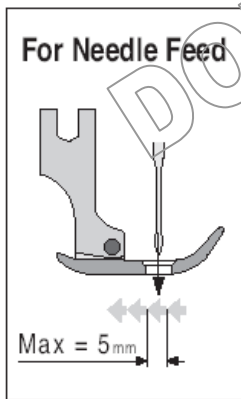
SR10NF~SR30NF, SL10NF~SL30NF

Compenserende voeten voor naaldtransport  
 Pieds compensé pour double entrainement  
 Compensating feet for needle feed machine

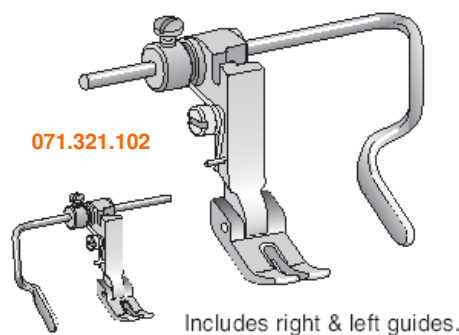
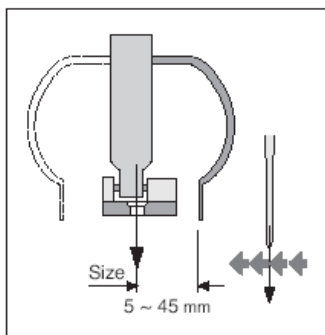


S...N, S351NF

Naaldtransportvoeten  
 Pieds double entrainement  
 Hinged feet for needle feed machine (one needle)



**P723NF** Hinged Quilter Foot with Right & Left Guides for Needle Feed



NAALDTRANSPORTVOETEN - PIEDS POUR ENTRAÎNEMENT PAR AIGUILLE - FEET FOR NEEDLE FEED MACHINE

**ST350NF** Teflon Foot <Regular> for Needle Feed

**Regular**

**ST350NF**

Teflon Shoe for "ST350NF"

5.5mm ↓ 5.5mm

**071.310.183**

**ST350NFB**

**071.310.193**

**ST35WNF** Teflon Foot <Double Toe Even> for Needle Feed

**Double Toe Even**

**ST35WNF**

Teflon Shoe for "ST35WNF"

6.5mm ↓ 6.5mm

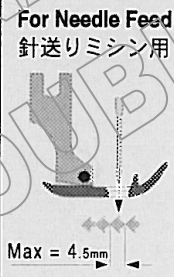
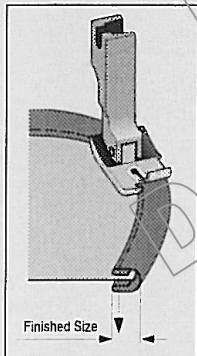
**071.310.083**

**ST35WNFB**

**071.310.093**

**SAN40~SAN250** Hinged Binding Feet for Needle Feed Machine  
 1本針 針送りミシン用 バインダー用 自由採寸金

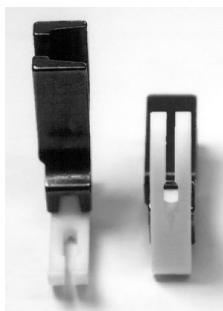
SAN40	SAN45	SAN55	SAN65	SAN75	SAN85	SAN95	SAN105	SAN130	SAN140	SAN150	SAN200	SAN250
6mm ↓ 2.5mm	6mm ↓ 3mm	6mm ↓ 4mm	6mm ↓ 5mm	6mm ↓ 6mm	6mm ↓ 7mm	6mm ↓ 8mm	6mm ↓ 9mm	6mm ↓ 11mm	6mm ↓ 12mm	6mm ↓ 13mm	6mm ↓ 18mm	6mm ↓ 22mm
071.301.600	071.301.605	071.301.610	071.301.615	071.301.620	071.301.625	071.301.630	071.301.640			071.301.650		



You can locate the folder near needle position and sew easily curving edge.  
 ラッパを針位置に近づけて、カーブ縫いを容易にします。




SA...	A1S Bias Tape Sizes	A2S Bias Tape Sizes	A4S Tape Sizes	A9S Bias Tape Sizes	A5S Finished Sizes	A5BS Finished Sizes	A11S (A110S) Hem Sizes
SAN40	20	20	10	-	-	-	-
SAN45	22	22	-	-	-	-	-
SAN55	24, 26	24	13	25	5	-	6 mm
SAN65	28, 30	-	-	28	-	-	-
SAN75	32	-	16	32	8	8	8 mm
SAN85	36	-	-	-	-	-	-
SAN95	40	-	19	-	10	10	10 mm
SAN105	-	-	22, 25	38	12	12	-
SAN130	-	-	-	-	-	-	13 mm
SAN140	-	-	-	-	-	-	(13) mm
SAN150	-	-	-	-	15, 18	15, 18	15,18 mm
SAN200	-	-	-	-	20, 24	20, 24	20 mm
SAN250	-	-	-	-	30, 40	-	25 mm~

We do not yet supply Right Angle Bias Binde for needle feed machine. 直角カノコラッパは、針送りミシン用はご用意しておりません。



Ref : ST 363 NF  
 Teflon  
**071.310.205**

**NAALDTRANSPORTVOETEN - PIED DOUBLE ENTRAINEMENT - NEEDLE FEET**  
**FOR PFAFF 461, 481, 561, 951 - DURKOPP 272**

 Ref : MT1-NF (1602) Teflon  Elce <b>071.310.410</b>	 Ref : P36N-NF (S5000N) 5mm. (1684)  Suissei <b>071.303.050</b> Elce <b>071.420.331</b>	 Ref : P36-NF (S8000N) 8mm. (1690)  Elce <b>071.420.301</b>
 Ref : P363-NF (S363-NF) 5,4mm. (S3030N) (1680) Suissei <b>071.321.085</b> Elce <b>071.421.071</b> Ref : P363W-NF-7mm (1688) <b>071.360.008</b>	 Ref : P351N-NF 9mm.  Suissei <b>071.303.030</b> Elce <b>071.420.321</b>	 Ref : P36LN-NF (S0050N) 5mm. (1683)  Suissei <b>071.303.030</b> Elce <b>071.420.321</b>
 Ref : P36L-NF (S0080) 8mm. (1689)  Elce <b>071.420.311</b>	 Ref : P361-NF (S6020N) 8mm.  Suissei <b>071.303.060</b>	 Ref : P360-NF (S2060N)  Suissei <b>071.303.040</b>
 Ref : P351-NF (S351NF) 11mm.  Suissei <b>071.303.020</b> Elce <b>071.421.033</b>	 Ref : S518N-NF (NP63NF)  <b>071.321.862</b>	 Ref : P363VNF  Suissei <b>071.321.085</b> Elce <b>071.421.085</b>
 Ref : P36D-NF (6648) Double 7mm.  <b>071.340.153</b>	 Ref : P127-NF = 2726801 (6643) 12mm.  <b>080.332.575</b>	
 Rechts comp. Comp. droit Right comp. Ref : 1649 1649/2 - 1/32 <b>071.359.002</b> 1649/4 - 1/16 <b>071.359.004</b> 1649/6 - 1/8 <b>071.359.006</b> 1649/8 - 3/16 <b>071.359.008</b> 1649/10 - 1/4 <b>071.359.010</b> 1649/12 - 5/16 <b>071.359.012</b>	 Links comp. Comp. gauche Left comp. Ref : 1649 1649/1 - 1/32 <b>071.359.001</b> 1649/3 - 1/16 <b>071.359.003</b> 1649/5 - 1/8 <b>071.359.005</b> 1649/7 - 3/16 <b>071.359.007</b> 1649/9 - 1/4 <b>071.359.009</b> 1649/11 - 5/16 <b>071.359.011</b>	